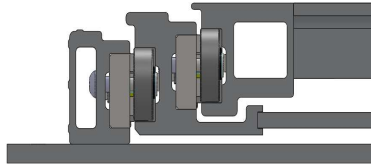




**SlideMaster**  
Telescoping Cargo Handler

**DECK HEIGHT 3-1/8"**

## ALUMINUM 3-RAIL MEDIUM DUTY

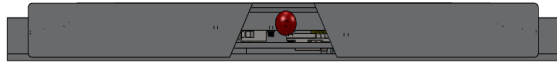


**END VIEW**

*100% Extension  
600 Lbs. Capacity*

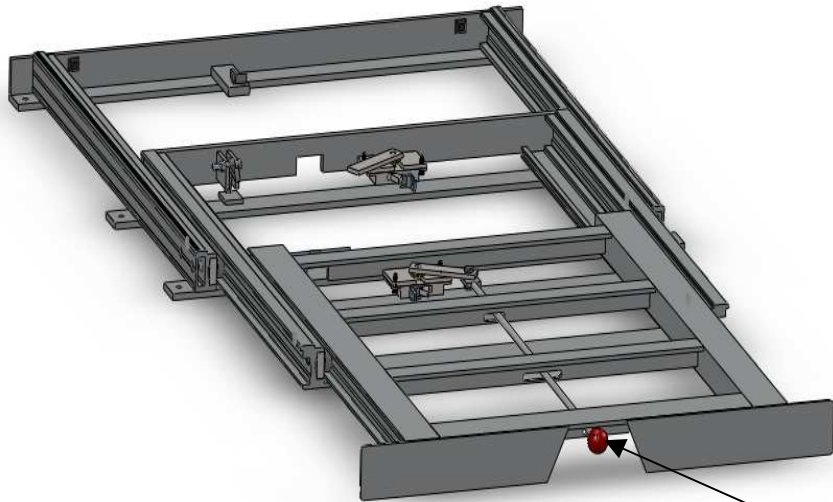
*125% Extension  
400 lbs. Capacity*

### SINGLE DIRECTION PRICING



**FRONT VIEW**

<b>19"-24"</b>	<b>25"-36"</b>	<b>37"-48"</b>	<b>49"-60"</b>
<b>\$446.00</b>	<b>\$497.00</b>	<b>\$542.00</b>	<b>\$608.00</b>



### ORDERING INFORMATION:

**AM** - *Single Direction*

**AMD** - *Dual Direction*

**AM** } *Extension - Length - Width*  
**AMD** }

\*Add \$30.00 for each 10" width exceeding 40"

### OPTIONS:

**SL (Spring Lock)** - Only On **AM** - \$65.00

**INNOVATIVE INDUSTRIES INC.**

1525 Deleglise Street

Antigo, WI 54409

**Toll Free:** 800-374-1134

**Fax:** 715-627-4528

**Website:** [www.slide-master.com](http://www.slide-master.com)

\*WEIGHT CAPACITY BASED ON UNIFORM DISTRIBUTION